

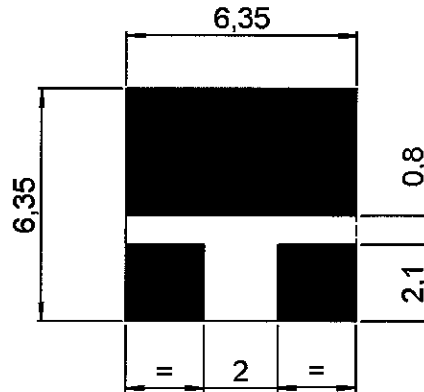
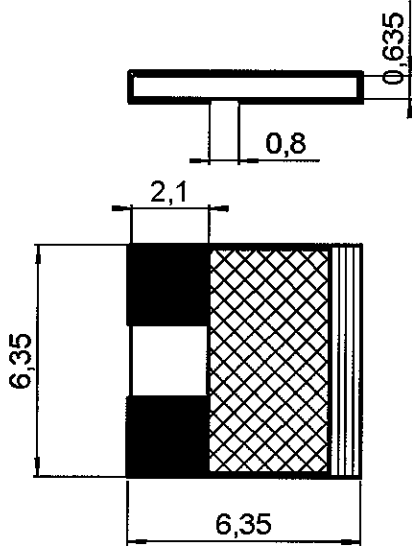
SMT ATTENUATOR

**R421.106.002**

6 DB 2 GHZ 3 W (TRUE SURFACE MOUNTING)

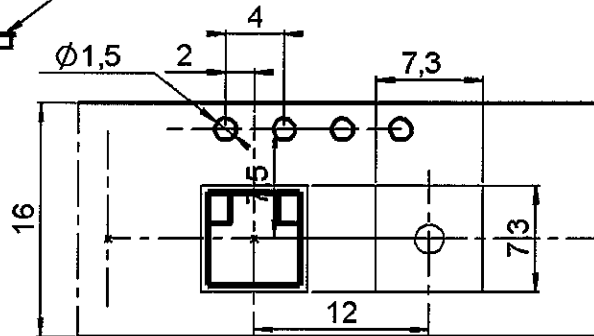
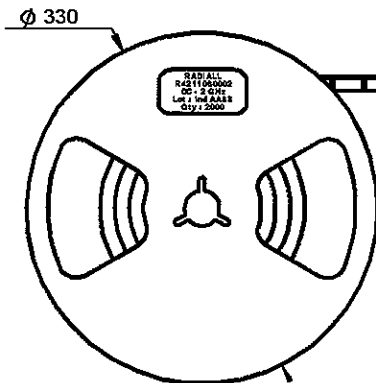
Series :  
**ATTENUATOR**

SOLDERING PATTERN

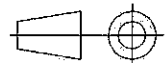


\* CONDITIONNEMENT PAR 2000  
PACKAGING BY 2000 \*

VUE A  
VIEW A



dimensions are in mm.



Issue : 0522 A

In the effort to improve our products, we reserve the right to make changes judged to be necessary.



**SMT ATTENUATOR**

**R421.106.002**

**6 DB 2 GHZ 3 W (TRUE SURFACE MOUNTING)**

Series :  
**ATTENUATOR**

**ELECTRICAL CHARACTERISTICS**

Frequency range : DC – 2 GHz  
 Impedance : 50 ohms ±5%  
 Average Power : 3 W  
 Attenuation: 6dB +/-0.3dB

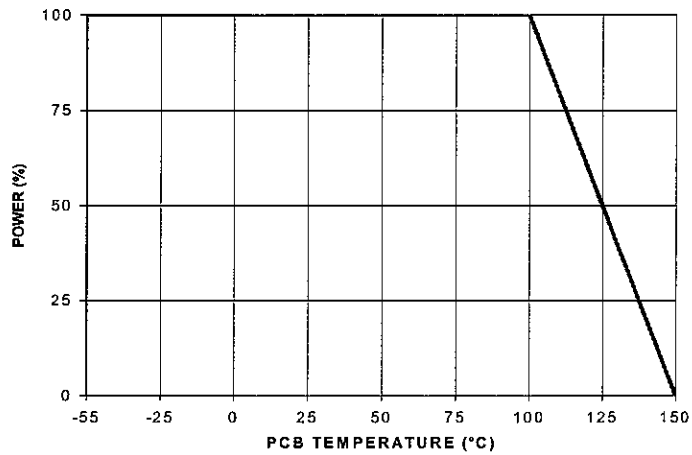
Frequency	DC – 2 GHz				
V.S.W.R	<= 1.20				

**MECHANICAL CHARACTERISTICS**

Substrate : Al2O3  
 Resistive film type : Thick film  
 Protective coating : Epoxy  
 Solderable terminal & ground : PtAg

**OTHER CHARACTERISTICS**

Power derating  
Versus temperature



**ENVIRONMENTAL**

Operating temperature range : -55°C + 150°C

Issue : 0522 A

In the effort to improve our products, we reserve the right to make changes judged to be necessary.



**RADIALL**®